

## 1 Prepare to Install:

### WARNING: STRANGULATION HAZARD

Young children can be strangled by cords. Immediately remove this product if a cord longer than 8.65 in (22 cm) or a loop exceeding 17.35 in (44 cm) around becomes accessible.

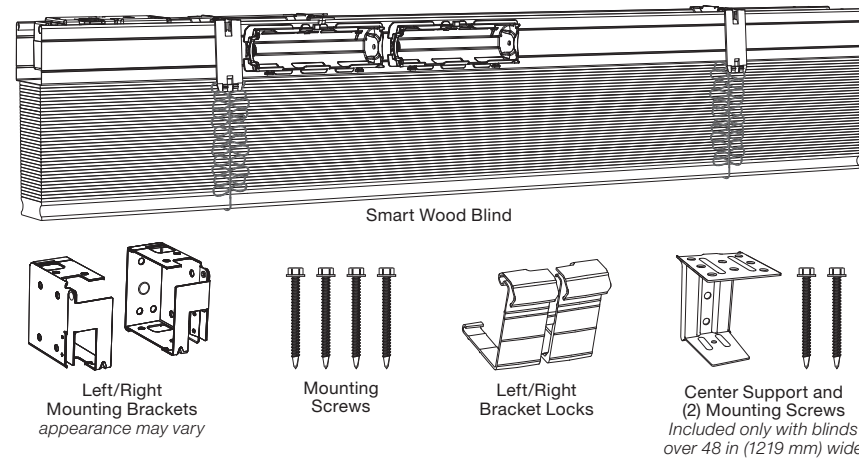
### WARNING: SHOCK HAZARD

Can cause serious injury or death. Turn off the power at the main service panel before connecting or servicing a blind with a wired power supply.

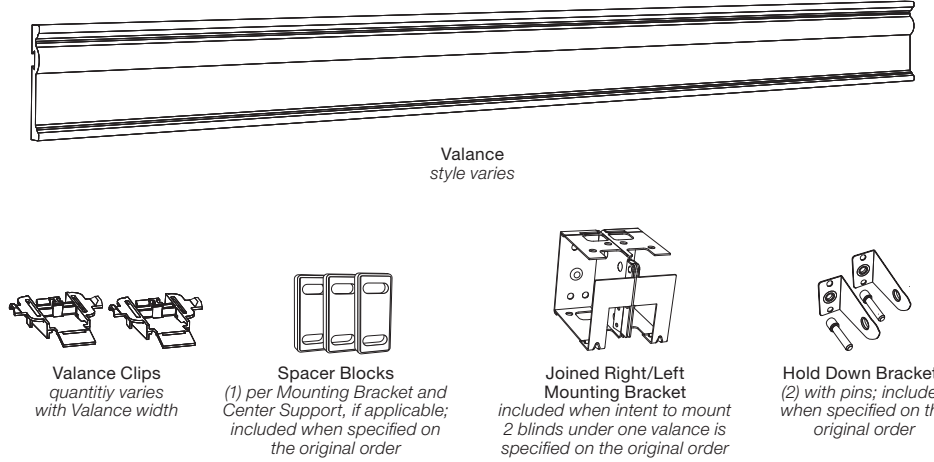
### CAUTION: RISK OF FALLING OBJECTS

Read and follow all instructions for mounting the blind system. Failure to follow these instructions could result in minor to moderate injury.

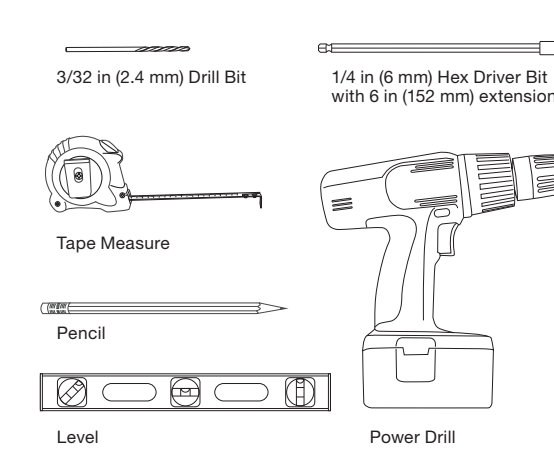
### 1.1 Unpack the box and verify contents



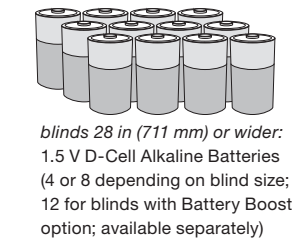
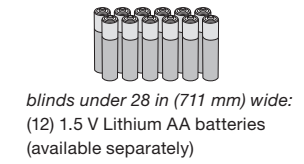
### OPTIONAL:



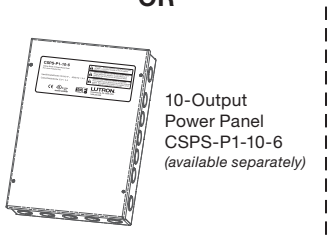
### 1.2 Other items you'll need:



### BATTERY-POWERED BLINDS:



### WIRED-POWER BLINDS:



## 2 Install the Mounting Brackets:

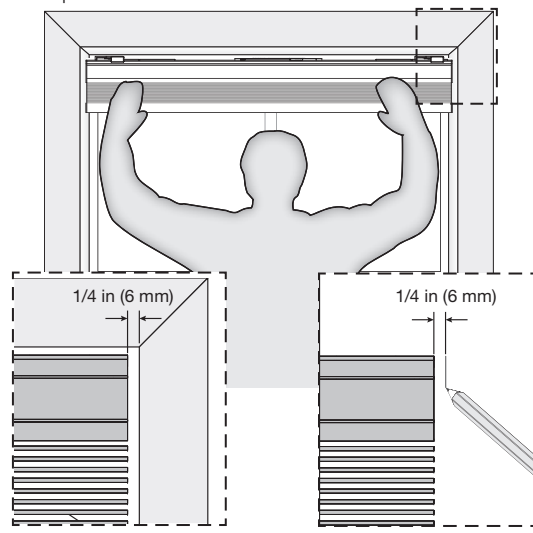
### IMPORTANT: TO ENSURE SAFE INSTALLATION:

Mounting screws must drive into solid structural material. Add secure blocking if necessary. Use fasteners that are appropriate for the mounting surface. Blinds and valances wider than 48 in (1219 mm) must be handled and installed by at least 2 people.

**INSTALLING 2 BLINDS UNDER ONE VALANCE:** The steps in Sections 2 and 3 detail the installation of a single blind. Installing 2 blinds under one valance employs the same methods, utilizing the included Joined Right/Left Mounting Bracket to hang the blinds side-by-side as close together as possible. Follow the steps in Section 2 to install all the Mounting Brackets and Center Supports, if applicable, then follow the steps in Section 3 to hang and secure the first blind. After completing Step 3c to secure the first blind, repeat steps 3a through 3c to hang and secure the second blind.

### 2.1 Determine mounting bracket locations:

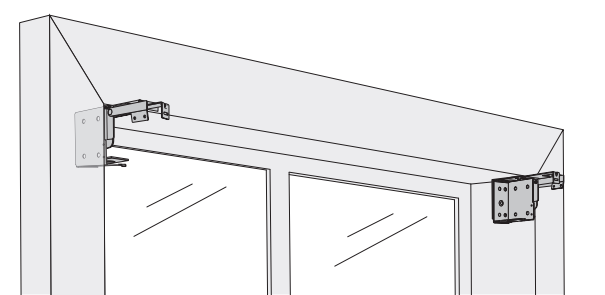
Hold the blind up to the window, approximating its final mounted position.



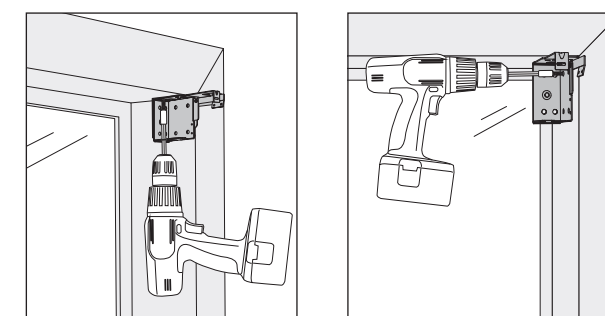
**For Inside Mount:** With the blind centered in the window opening, confirm there is 1/4 in (6 mm) clearance from each end of the headrail to the window jamb.

**For Outside Mount:** With the blind centered over the window opening, use the pencil to mark the mounting surface 1/4 in (6 mm) from each end of the headrail.

### 2.2 Inside mount:

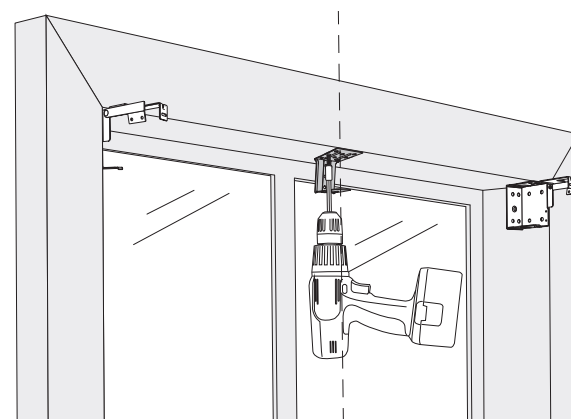


Position each Mounting Bracket against the window jamb as shown and fasten to the window frame or jamb using 2 screws.



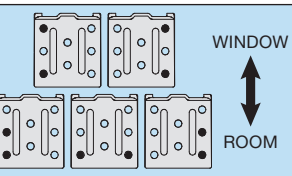
"Ceiling" Mount

Jamb Mount

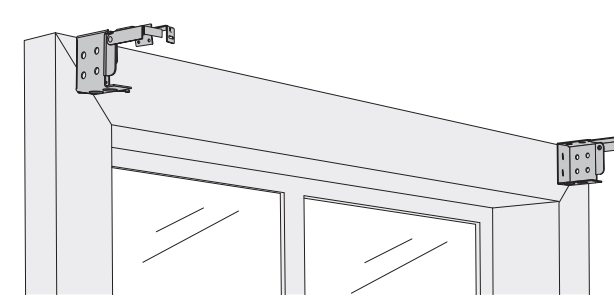


If the blind is wider than 48 in (1219 mm), install the included Center Support at the same depth as the Mounting Brackets on the window centerline, using 2 screws.

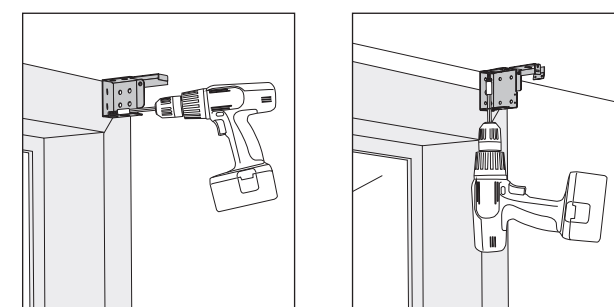
When ceiling mounting the Center Support, fasten with at least 2 screws, through the most accessible holes for your application. DO NOT use the following combinations:



### 2.3 Outside mount:

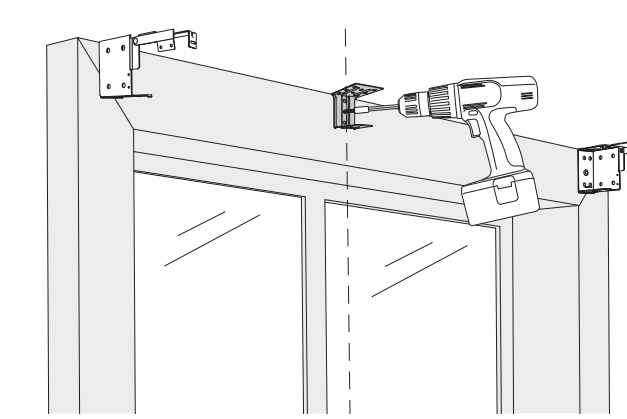


Position the Mounting Brackets at the desired height on or above the window trim, at the marks made in step 2.1, and fasten using 2 screws in each bracket.



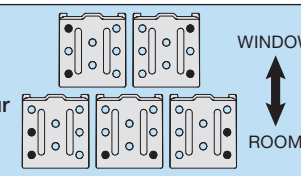
"Wall" Mount on or Above Trim

Ceiling Mount



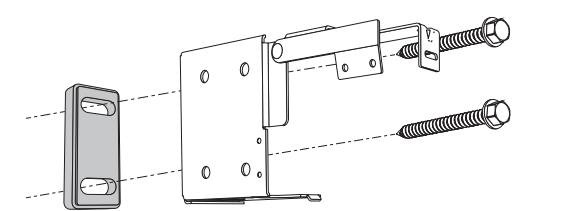
If the blind is wider than 48 in (1219 mm), install the included Center Support at the same height as the Mounting Brackets on the window centerline, using 2 screws.

When ceiling mounting the Center Support, fasten with at least 2 screws, through the most accessible holes for your application. DO NOT use the following combinations:

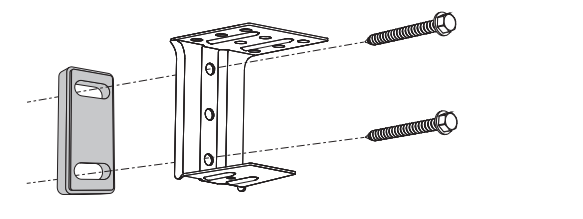


### Outside mounting where additional clearance is required:

For mounting in locations where additional clearance is needed to clear window trim or hardware, a Spacer Block may be used on each Mounting Bracket and Center Support, if applicable.



Mounting Bracket with Spacer Block



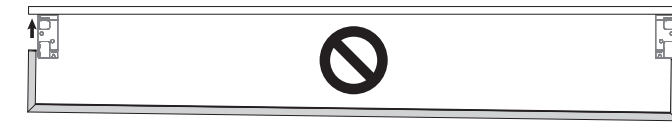
Center Support with Spacer Block

## 3 Hang the blind in the Mounting Brackets:

For outside-mount installations where a Valance with returns will be installed, test-fit the Valance to verify the mounted brackets fit between the returns.

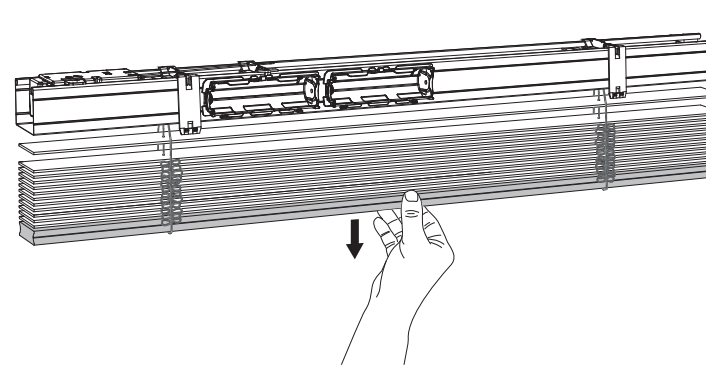


If the fit is correct, follow the remaining steps in this section to hang the blind in the Mounting Brackets.

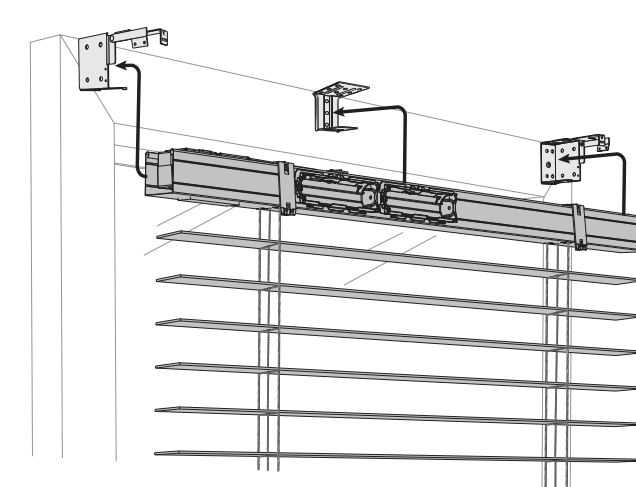


If the Valance does not fit around the Mounting Brackets, re-measure and adjust the Mounting Bracket positions before hanging the blind.

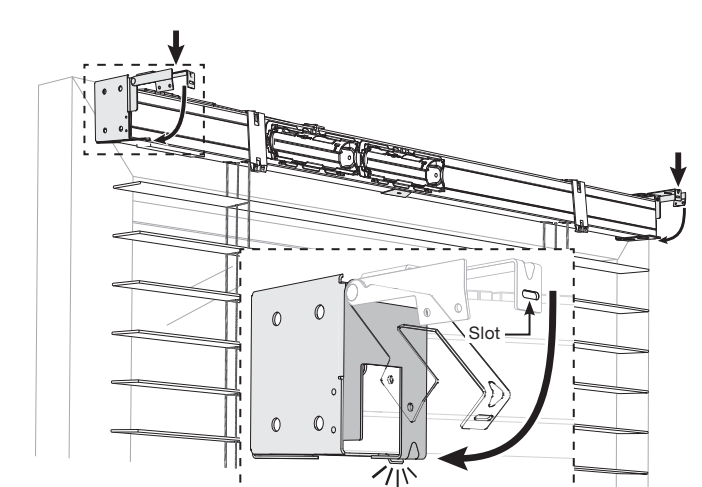
**a.** Extend the blind by grasping the center of the Bottom Bar and pulling it away from the Headrail. This is done to separate the top slat from the Headrail so that the slat is clear of the Mounting Brackets in step **b**. It is not necessary to extend the blind fully.



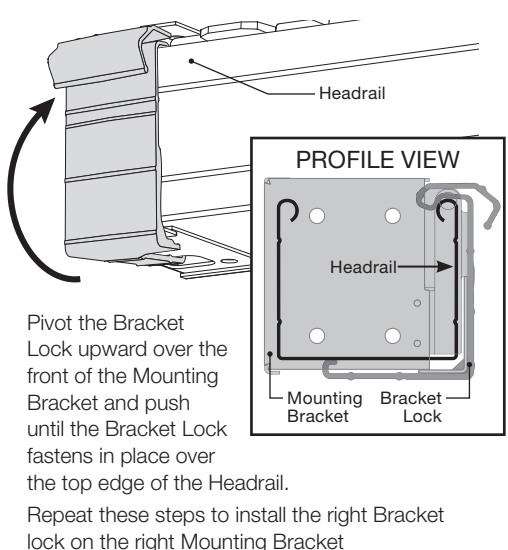
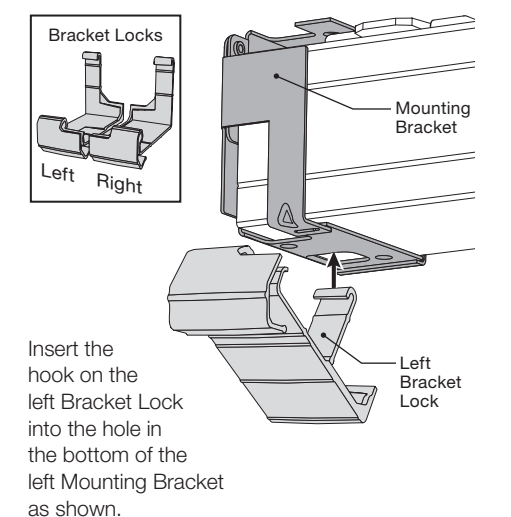
**b.** Insert the headrail between and into the Mounting Brackets, and also into the Center Support, if applicable.



**c.** Close each Bracket Door, pressing it firmly closed to ensure the tab on the Bracket engages through the slot in the Bracket Door.



**d.** Install a Bracket Lock on each Mounting Bracket.



Pivot the Bracket Lock upward over the front of the Mounting Bracket and push until the Bracket Lock fastens in place over the top edge of the Headrail. Repeat these steps to install the right Bracket lock on the right Mounting Bracket.

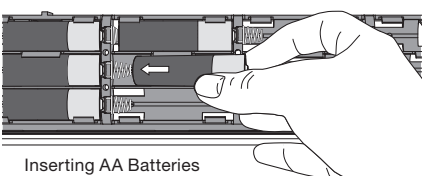
## 4 Power Up the Blind:

**NOTE:** Blinds are manufactured for battery power or wired power according to the original order. The two types are not interchangeable or convertible.

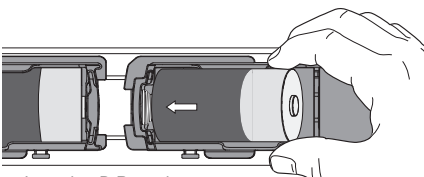
### 4.1 Battery powered blinds

Install the batteries only as indicated in the battery holders on the front of the Headrail. The Blind Button (see Section 5) will flash red/green 3 times when blind is powered. If the batteries are not inserted correctly, the blind may not power up.

DO NOT mix old and new batteries, DO NOT install carbon-zinc or rechargeable batteries, and DO NOT mix battery types. Use ONLY 1.5 V alkaline D size batteries (Lutron recommends Duracell® or RAYOVAC®), or 1.5 V lithium AA size batteries.



Inserting AA Batteries

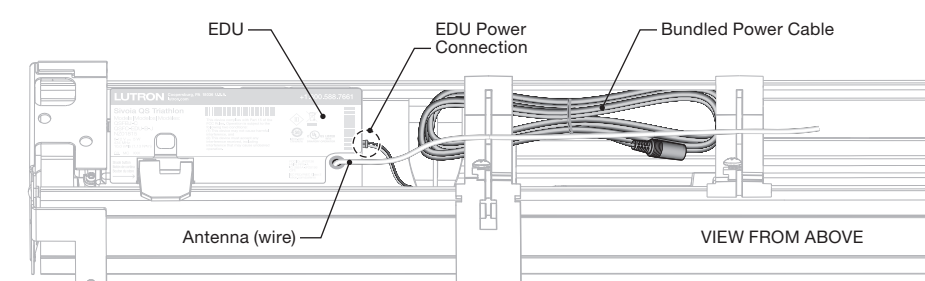


Inserting D Batteries

**WARNING: RISK OF FIRE.** Improperly installed lithium batteries can cause fire resulting in serious injury or death. DO NOT install backwads. Use only lithium batteries safety recognized by UL or other applicable local government safety agencies.

### 4.2 Blinds with plug-in power supply

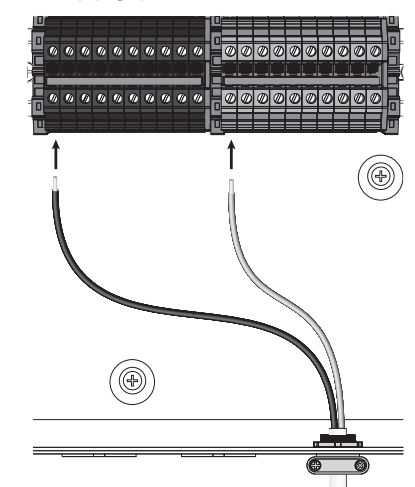
- Carefully remove the bundled length of power cable from inside the headrail, unwrap it, and plug it into the individual power supply.
- Route and secure all wiring, ensuring it will not interfere with the operation of the blind.
- Plug the individual power supply into a compatible electrical outlet. The Blind Button (see Section 5) will flash red/green 3 times when the blind is powered.



The power cable must remain connected to the EDU as shown above. Use caution when removing the bundled power cable from the headrail to avoid disturbing the position of the Antenna Wire. Reposition the Antenna Wire as shown if necessary.

### 4.3 Connecting a wired-power blind to a power supply panel

- Unroll the power cable from inside the headrail and cut off the barrel connector.
- Make connections according to the instruction guide included with the 10-output power supply panel. The Blind Button (see Section 5) will flash red/green 3 times when the blind is powered.
- Route and secure all wiring, ensuring it will not interfere with the operation of the blind.



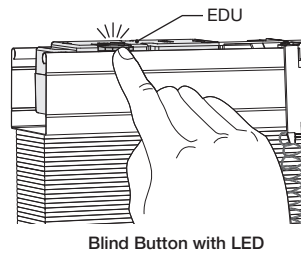
Wired-power blinds must be connected using cable rated CLS2X or better. Connect to a Lutron 12 VDC power source only.

**5 Assign a Remote Control:**

**5.1 Determine control intent**

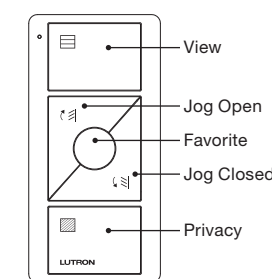
The blind features a single LED-equipped control button (the 'Blind Button'), located on the Electronic Drive Unit (EDU), in the headrail near the left end of the blind. The Blind Button is used to activate and indicate various steps while assigning and programming the blind for compatible handheld or system-based remote control.

- If the Caséta Smart Bridge or a Lutron RA2 Select system is installed, use the Lutron App to program and control the blind.
- To assign a Pico wireless control without a system, follow the steps in section 5.2.
- To assign a Lutron 4-Group RF remote control without a system, follow the steps in section 5.3.

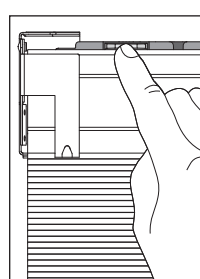


**NOTE:** Remote controls affect only the motorized slat-tilt function. Raising and lowering of the blind must be done manually.

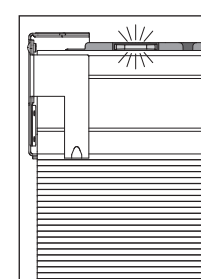
**5.2 Assign a Pico wireless control**



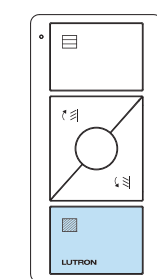
Wood blind Pico Control PJ2-3BRL-GWH-S10 (available separately with multiple color options)



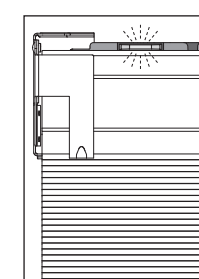
a. Tap the Blind Button



b. The Green Blind Button lights



c. Press and hold the Privacy (close) button

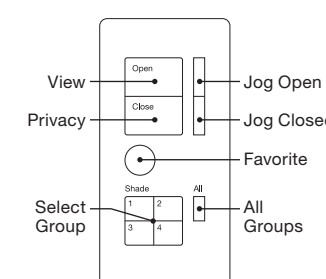


d. The Blind Button flashes Green; assignment is complete

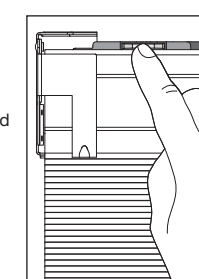


e. Repeat for additional assignments

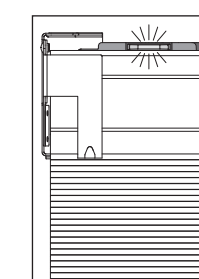
**5.3 Assign a Lutron 4-Group RF remote control**



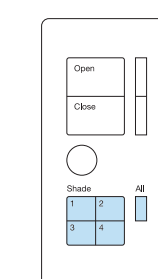
4-Group RF Remote Control CS-YJ-4GC-WH (available separately)



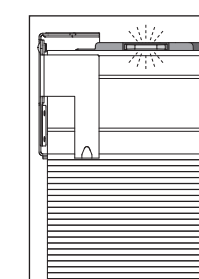
a. Tap the blind Button



b. The Green Blind Button lights



c. Press and hold the desired Group button



d. The Blind Button flashes Green; assignment is complete

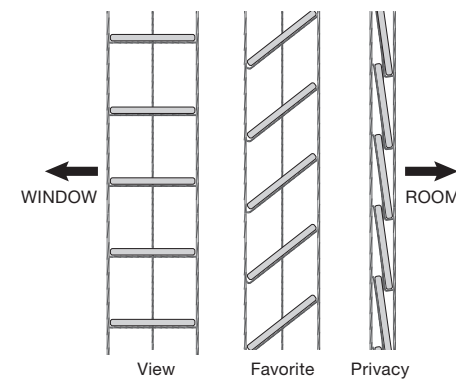


e. Repeat for additional assignments

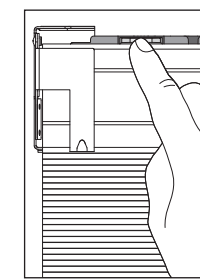
**6 Adjust View and Privacy Slat Positions (OPTIONAL):**

**6.1 Adjust default slat positions**

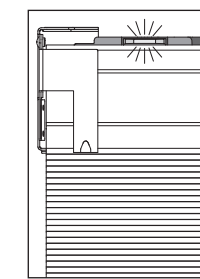
The blind's default View (open), Favorite, and Privacy (closed) slat positions are pre-programmed as shown.



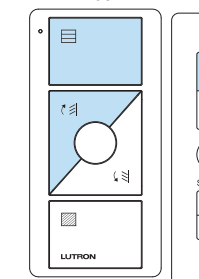
If adjustment is desired, follow these steps:



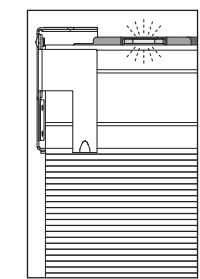
a. Tap the Blind Button



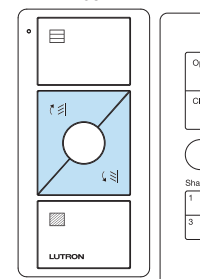
b. The Green Blind Button lights



c. Press and hold the View (open) and Jog-Open buttons simultaneously



d. The Blind Button flashes Green, then stays lighted; release all buttons

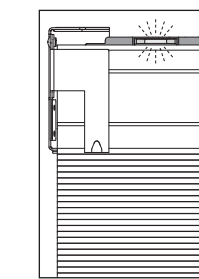


e. Use the Jog-Open and Jog-Closed buttons to position the slats as desired

**f. SET VIEW POSITION**  
With the slats at the desired View (open) position, press and hold the View (open) Button

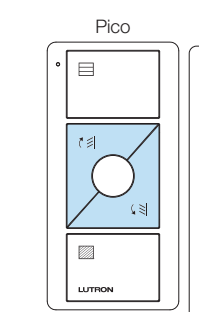
**OR**

**SET PRIVACY POSITION**  
With the slats at the desired Privacy (closed) position, press and hold the Privacy (close) Button

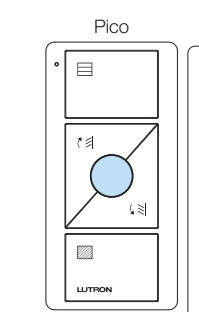


g. The Blind Button flashes Green; adjustment is complete

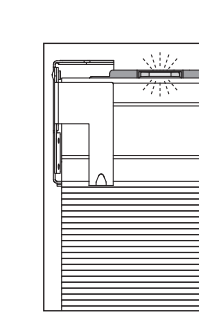
**6.2 Set a Favorite slat position**



a. Use the Jog-Open/Jog-Closed buttons to move the blind to the desired position.



b. Press and hold the Favorite button for 3 seconds.

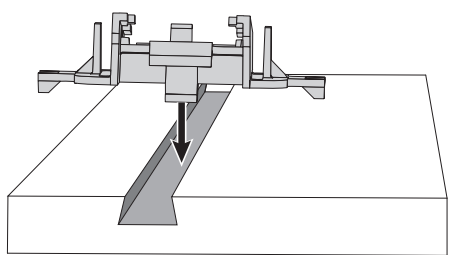


c. The Blind Button flashes Green; the Favorite Position is saved.

**7 Attach the Optional Valance:**

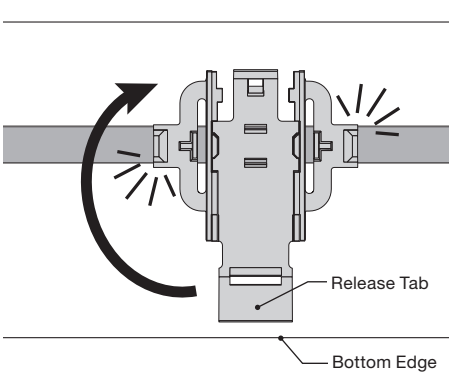
**7.1 Insert a Valance Clip**

Place the Valance face-down on a clean surface and insert a Valance Clip in the channel as shown.



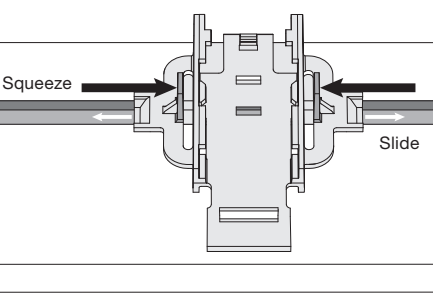
**7.2 Rotate the Valance Clip**

Rotate the valance Clip 90° to secure it in the slot. Ensure the release tab is pointed toward the bottom edge of the Valance as shown.



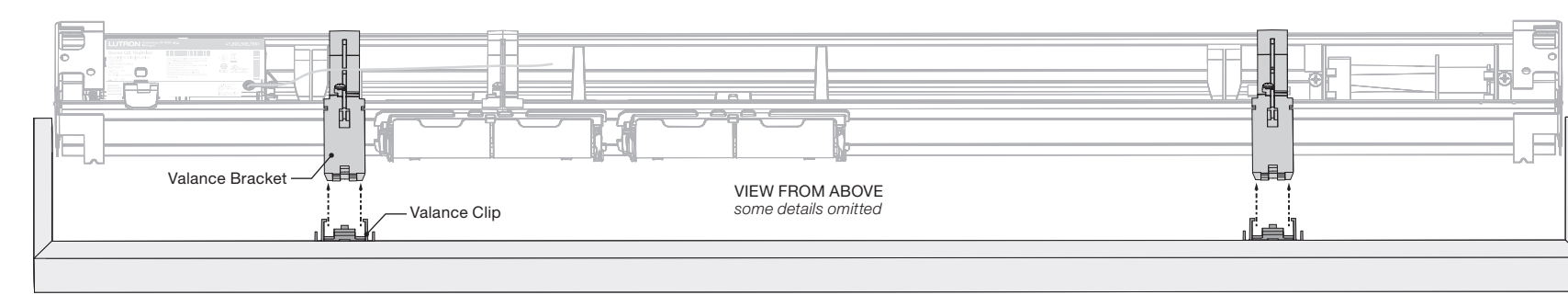
**7.3 Position the Valance Clips**

- Repeat steps 7.1 and 7.2 to secure the remaining Valance Clips in the channel.
- Adjust the position of each Valance Clip to match the position of a Valance Bracket (pre-installed on the headrail). To move a Valance Clip, squeeze the tabs and slide the clip along the channel.



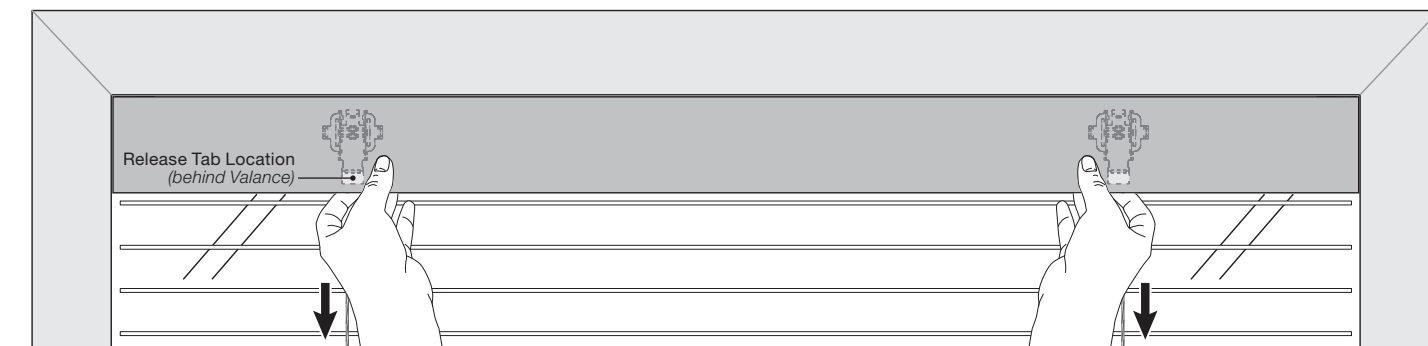
**7.4 Install the Valance**

- Slide each Valance Clip up and around a Valance Bracket from below, and push up until it locks in place with a "click"
- Verify that each Valance Clip is locked onto a Valance Bracket



Morgan Valance style shown with returns for outside mount

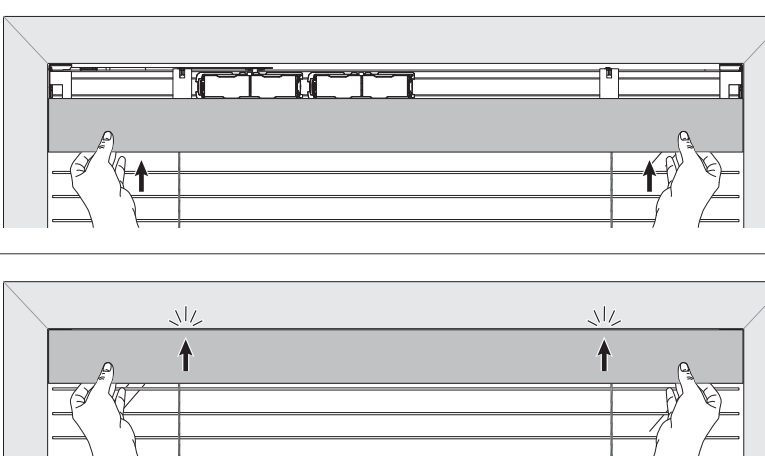
**To lower the Valance for battery change:**



Grasp the lower edge of the Valance as shown and locate the Valance Clips on the back of the Valance. Squeeze the Valance Clip release tabs against the back of the Valance and slide the Valance downward. The Valance will catch and hang on the bottom of the Valance Brackets, allowing access to the battery holders.

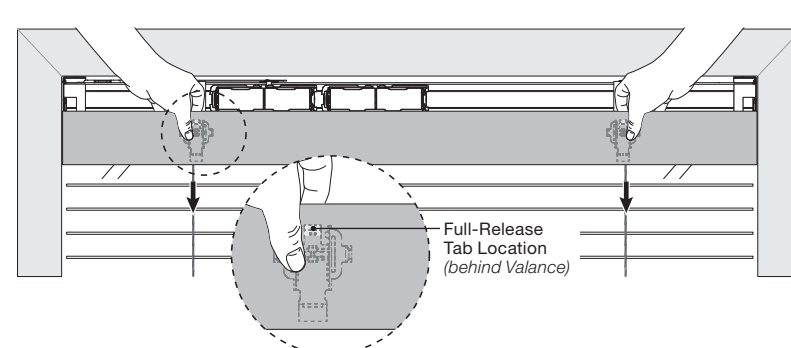
**To return the Valance to operating position:**

Slide the Valance back up the Valance Brackets until the Valance Clips "click" into the Valance Brackets.



**To remove the Valance completely:**

With the Valance in battery change position (see above), grasp the upper edge as shown and locate the Valance Clips. Squeeze the Valance Clip full-release tabs against the back of the Valance, then slide the Valance downward and off the Valance Brackets.

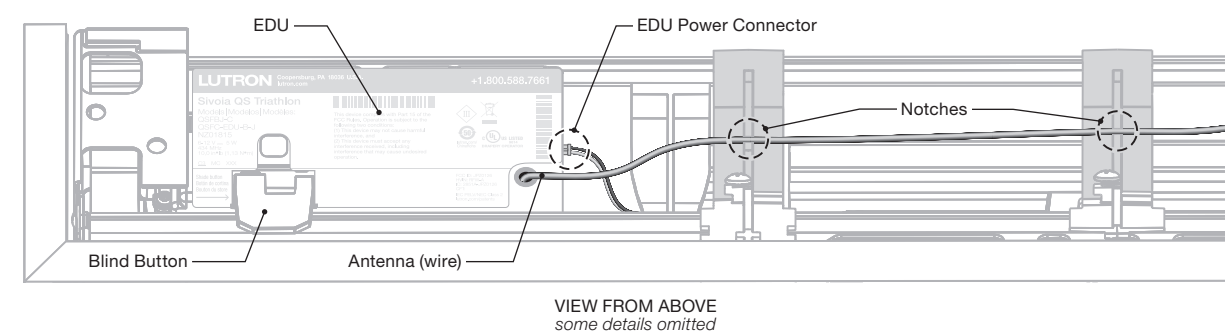


**Troubleshooting:**

Problem	Solution
The blind does not power up when batteries are inserted	<ul style="list-style-type: none"> <li>Verify all batteries are new and of the correct type</li> <li>Remove all batteries and reinstall, ensuring they are oriented correctly</li> <li>Ensure the EDU Power Connector is fully inserted (see location of EDU Power Connector at right)</li> </ul>
The blind does not power up when the power supply is connected	<ul style="list-style-type: none"> <li>Verify the electrical outlet used is powered</li> <li>Ensure the power wire is properly connected</li> <li>Ensure the EDU Power Connector is fully inserted (see location of EDU Power Connector at right)</li> </ul>

Problem	Solution
The blind does not respond to remote control	<ul style="list-style-type: none"> <li>Ensure the remote control is within the product's RF range; 30 ft (9 m)</li> <li>Inspect the antenna and ensure it is routed and secured in the notches as shown at right; correct if necessary</li> <li>If a system is installed, ensure the remote control is assigned in the app</li> </ul>
The Blind Button LED flashes RED	<ul style="list-style-type: none"> <li>An obstacle is preventing the blind from moving to the desired position or preset</li> <li>If this condition occurs while setting the View, Privacy, or Favorite position (Section 6), the slats may be closed too tightly — open the slats slightly, then save the new position</li> </ul>

Problem	Solution
Tilt action is slow, and/or the Blind Button LED is RED	<ul style="list-style-type: none"> <li>Batteries are low; remove all batteries and replace with new ones, ensuring they are oriented correctly</li> </ul>
The blind does not respond and the Blind Button LED is flashing or constant RED	<ul style="list-style-type: none"> <li>Batteries are dead; remove all batteries and replace with new ones, ensuring they are oriented correctly</li> </ul>
After installing new batteries, the blind does not respond	<ul style="list-style-type: none"> <li>Press and release the Blind Button once to resume normal operation</li> </ul>



VIEW FROM ABOVE some details omitted

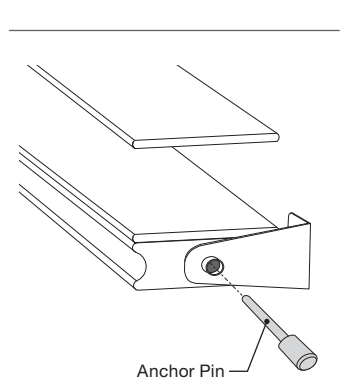
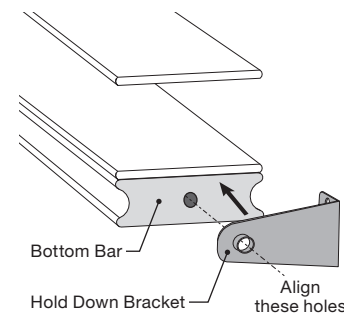
**Restoring Factory Default Settings**

Tap the Blind Button quickly three times, and hold the Blind Button after the third tap until the Blind Button LED flashes GREEN rapidly. Immediately tap the Blind Button quickly three more times, until the Blind Button LED flashes GREEN rapidly, then flashes RED/GREEN three times, and turns off.

**8 Optional Hold Down Brackets:**

Install the optional Hold Down Brackets to anchor the blind's Bottom Bar when it is installed on a door or other movable surface.

- Lower the blind, setting the Bottom Bar at the desired level where it will be anchored.
- Position a Hold Down Bracket against the mounting surface as shown, in alignment with the hole in the end of the Bottom Bar.
- Holding the Bracket in place, raise the blind out of the way, and mark the (2) mounting hole locations on the mounting surface.
- Pre-drill if necessary, then using fasteners that are appropriate for the mounting substrate, mount the Hold Down Bracket.
- Repeat steps a. through d. to locate and mount the other Hold Down Bracket at the opposite end of the Bottom Bar, ensuring the two brackets are level and aligned.
- Position the Bottom Bar between the Hold Down Brackets and insert an anchor pin through each Hold Down Bracket, into the Bottom Bar as shown. Push the Anchor Pin into the Bottom Bar as far as it will go.



For complete warranty information, refer to: <http://www.lutron.com/TechnicalDocumentLibrary/Window Systems Warranty.pdf>

**Worldwide Headquarters**  
Lutron Electronics Co., Inc., 7200 Suter Road, Coopersburg, PA 18036-1299  
lutron.com/help | support@lutron.com | 1.844.LUTRON1 (588-7661)

**EEA**  
Lutron NL B.V., Herengracht 466, 1017 CA Amsterdam, Netherlands (Importer)

**United Kingdom**  
Lutron EA Ltd., 125 Finsbury Pavement, 4th floor, London EC2A 1NQ, UK  
FREEPHONE: 0800.282.107 | Tech. Supt: +44.(0)20.7680.4481 | FAX: +44.(0)20.7480.6899

**FCC Information; drive model: QSFC-EDU-B-J**  
This equipment has been tested and found to comply with the limits for a Class B digital device, pursuant to part 15 of the FCC rules. These limits are designed to provide reasonable protection against harmful interference in a residential installation. This equipment generates, uses and can radiate radio frequency energy and, if not installed and used in accordance with the instructions, may cause harmful interference to radio and television reception, which can be determined by turning the equipment off and on. The user is encouraged to try to correct the interference by one or more of the following measures:  

- Reorient or relocate the receiving antenna.
- Increase the separation between the equipment and receiver.
- Connect the equipment into an outlet on a circuit different from that to which the receiver is connected.
- Consult the dealer or an experienced radio/TV technician for help.

**Caution:** Changes or modifications not expressly approved by Lutron Electronics Co. could void the user's authority to operate this equipment.  
 This device complies with Part 15 of the FCC Rules. Operation is subject to the following two conditions:  
 (1) This device may not cause harmful interference, and  
 (2) This device must accept any interference received, including interference that may cause undesired operation. This Class B digital apparatus complies with Canadian ICES-003